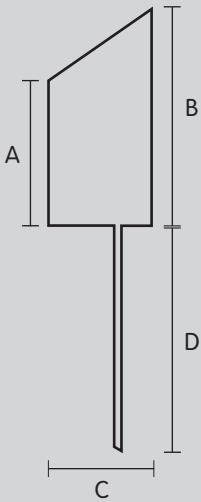


# Light This Light That LED Garden Light

316 Marine Grade Stainless Steel  
Extremely low voltage




'pearl' face



Model shown:  
LT21 with 2 earth spikes



## Specifications:

- Materials:** Casing is made from Marine Grade 316 Stainless Steel in matt finish.  
Face and Back 'Pearl' is made from weatherproof premium quality acrylic
- Power Source:** Low Voltage 12 V DC input (regulated)
- Weatherproof Rating:** IP 68
- Mounting:** Earth Spike(s)
- Pre wired:** Rear entry 900mm (length) weatherproof cable (20 gauge)
- Warranty:** 2 years
- Cabling:** Light This Light That Weatherproof harness (18 gauge) with screw in plugs, or similar
- LED type:** State of art:  :5mm
- LED Colours:** Moonlight, Warm White and Lush. Other custom order colours available.

## Features:

- Australian Owned
- Australian Made
- Extremely Low Voltage
- 12 volt, not dangerous
- Up to 50,000 hours life
- Directional light efficiency
- Ambient light
- Solid state technology
- No fragile glass environment
- Non corrosive materials
- Ideal for coastal environments
- No Maintenance
- No globes to maintain
- No Ultraviolet radiation
- No Infrared radiation
- No UV to attract insects
- Cool to touch
- Doesn't burn plants
- Doesn't breakdown materials
- No Mercury
- Easy installation, easy to move
- Portable
- Choice of sizes
- Weatherproof IP 68
- 2 year replacement warranty

The Light This Light That Stainless Steel range is available in 6 sizes. Your Light This Light That LED Garden light is IP68 rated, which means it can be installed outdoors, under water, in your pond or water feature.

This light system contains non replaceable parts. Do not attempt to force open the light.

model	dimensions				mount spikes (units)	light source #5mm led	current mA (max)
	length (A)	length (b)	width (c)	length (d)			
LT1	40mm	40mm	10mm	120mm	1	1	20
LT3	32mm	50mm	25mm	150mm	1	3	20
LT6	39mm	60mm	32mm	170mm	1	6	40
LT12	45mm	70mm	38mm	170mm	1	12	80
LT21	66mm	100mm	50mm	180mm	2	21	140
LT30	67mm	110mm	63mm	180mm	2	30	200

**Note:** 1 Amp = 1000 milliamps (mA).

**Disclaimer:** Consistant with our product developemnt policy, improvements may be made which render the contents of this document different to that shown. While every care has been taken with the details on this specification sheet, Light This Light That Pty Ltd accepts no responsibility for any inaccuracies and reserves the right to change the specifications without incurring obligation. Light This Light That Pty Ltd reserves the right to change specifications without notice.

Australian Owned & Australian Made

 **led garden lights**  
consultants : installers : manufacturers

DISTRIBUTOR:

BYRON GREEN LIGHTS

Jason Hutchinson

T: (02) 6680 1507

M: 0422 267 313

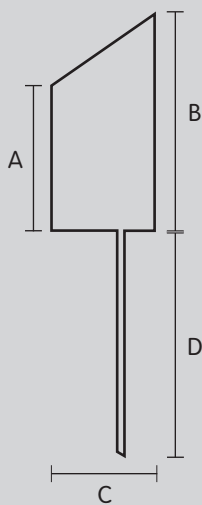
E: [jason@byrongreenlights.com.au](mailto:jason@byrongreenlights.com.au)

# Light This Light That LED Garden Light

Solid Copper  
Extremely low voltage



'chocolate' face



Model shown:  
LT21 with 2 Solid Copper  
mounting spikes

The Light This Light That Copper range is available in 6 sizes. Your Light This Light That LED Garden light is IP68 rated, which means it can be installed outdoors, under water, in your pond or water feature.

This light system contains non replaceable parts. Do not attempt to force open the light.

model	dimensions				mount spikes (units)	light source #5mm led	current mA (max)
	length (A)	length (b)	width (c)	length (d)			
LT1	40mm	40mm	10mm	120mm	1	1	20
LT3	32mm	50mm	25mm	150mm	1	3	20
LT6	39mm	60mm	32mm	170mm	1	6	40
LT12	45mm	70mm	38mm	170mm	1	12	80
LT21	66mm	100mm	50mm	180mm	2	21	140
LT30	67mm	110mm	63mm	180mm	2	30	200

Note: 1 Amp = 1000 milliamps (mA).

**Disclaimer:** Consistant with our product developemnt policy, improvements may be made which render the contents of this document different to that shown. While every care has been taken with the details on this specification sheet, Light This Light That Pty Ltd accepts no responsibility for any inaccuracies and reserves the right to change the specifications without incurring obligation. Light This Light That Pty Ltd reserves the right to change specifications without notice.

## Copper:

Solid copper will age individually overtime to a verdigris finish. A bluish-green coating usually of carbonate of copper that forms on copper, brass or bronze when exposed to air for long periods of time. Colour can change towards a red-brown depending on the chemistry of the environment the copper is exposed to.

## Specifications:

Materials: Casing is made from solid Copper in matt finish.

Face and Back 'Chocolate' is made from weatherproof premium quality acrylic acrylic

Power Source: Low Voltage 12 V DC input (regulated)


Weatherproof Rating: IP 68

Mounting: Solid Copper Earth Spike(s)

Pre wired: Rear entry 900mm (length) weatherproof cable (20 gauge)

Warranty: 2 years

Cabling: Light This Light That Weatherproof harness (18 gauge) with screw in plugs, or similar

LED type: State of art:  :5mm

LED Colours: Moonlight, Warm White and Lush. Other custom order colours available.

## Features:

- Australian Owned
- Australian Made
- Extremely Low Voltage
- 12 volt, not dangerous
- Up to 50,000 hours life
- Directional light efficiency
- Ambient light
- Solid state technology
- No fragile glass environment
- Non corrosive materials
- Ideal for coastal environments
- No Maintenance
- No globes to maintain
- No Ultraviolet radiation
- No Infrared radiation
- No UV to attract insects
- Cool to touch
- Doesn't burn plants
- Doesn't breakdown materials
- No Mercury
- Easy installation, easy to move
- Portable
- Choice of sizes
- Weatherproof IP 68
- 2 year replacement warranty

Australian Owned & Australian Made

 Light this light that  
led garden lights  
consultants : installers : manufacturers

DISTRIBUTOR:

BYRON GREEN LIGHTS

Jason Hutchinson

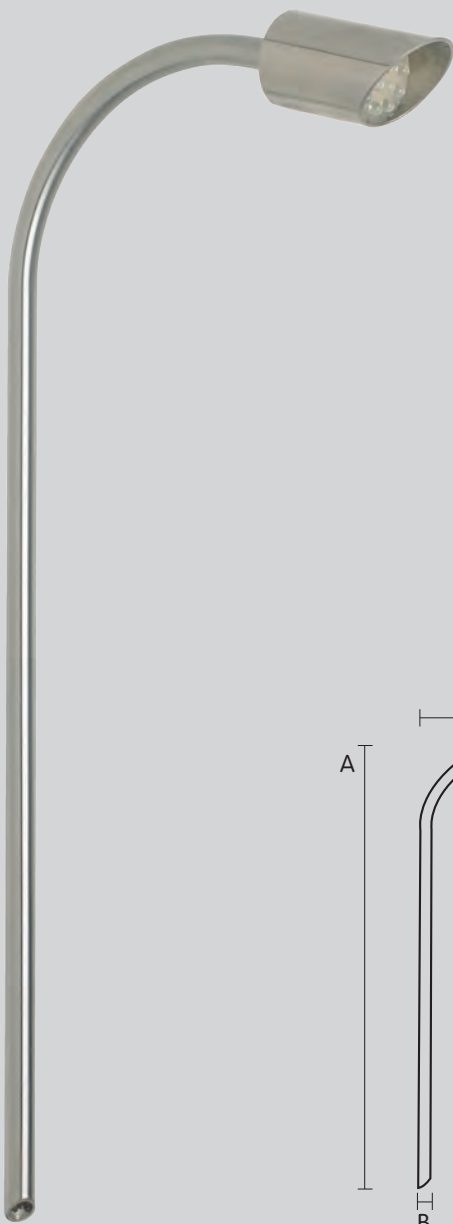
T: (02) 6680 1507

M: 0422 267 313

E: jason@byrongreenlights.com.au

# Light This Light That LED 'Triffid' Light

316 Marine Grade Stainless Steel  
Extremely low voltage



Your **The Light This Light That** 316 'Marine Grade' Stainless Steel Garden light is IP66 rated.

This light system contains non replaceable parts. Do not attempt to force open the light.

model	dimensions			light source	current
	length (A)	width (b)	reach (c)	#5mm led	mA (max)
LTP3	500mm	10mm	180mm	3	20
LTP6	650mm	12mm	200mm	6	40
LTP12	650mm	12mm	200mm	12	80
LTP21	1000mm	19mm	400	21	140
LTP30	1000mm	25mm	600	30	200
Custom					

**Note:** 1 Amp = 1000 milliamps (mA).

**Disclaimer:** Consistant with our product developemnt policy, improvements may be made which render the contents of this document different to that shown. While every care has been taken with the details on this specification sheet, Light This Light That Pty Ltd accepts no responsibility for any inaccuracies and reserves the right to change the specifications without incurring obligation. Light This Light That Pty Ltd reserves the right to change specifications without notice.

## Specifications:

**Materials:** Casing: 316 Marine Grade Stainless Steel (or solid copper)  
Face: Pexiglas Satinice® 'Pearl finish'

**Power Source:** Low Voltage 12 V DC input (regulated)

**Weatherproof Rating:** IP 66

**Pre wired:** Rear entry 900mm (length) weatherproof cable (20 gauge)

**Warranty:** 2 years

**Cabling:** Light This Light That Weatherproof harness (18 gauge) with screw in plugs, or solder connection

**LED type:** State of art:  :5mm

**LED Colours:** White. Other custom orders available

**Size:** 316 marine grade stainless steel or solid copper

## Features:

- Australian Owned
- Australian Made
- Extremely Low Voltage
- 12 volt, not dangerous
- Up to 50,000 hours life
- Directional light efficiency
- Ambient light
- Solid state technology
- No fragile glass environment
- Non corrosive materials
- Ideal for coastal environments
- No Maintenance
- No globes to maintain
- No Ultraviolet radiation
- No Infrared radiation
- No UV to attract insects
- Cool to touch
- Cool to stand on
- Doesn't burn plants
- Doesn't breakdown materials
- No Mercury
- Easy installation, easy to move
- Portable
- Choice of sizes
- Can be used as wall or eave light
- Weatherproof IP 66
- 2 year replacement warranty

Australian Owned & Australian Made

 **Light this Light that**  
**led garden lights**  
consultants : installers : manufacturers

DISTRIBUTOR:

BYRON  GREEN LIGHTS

Jason Hutchinson

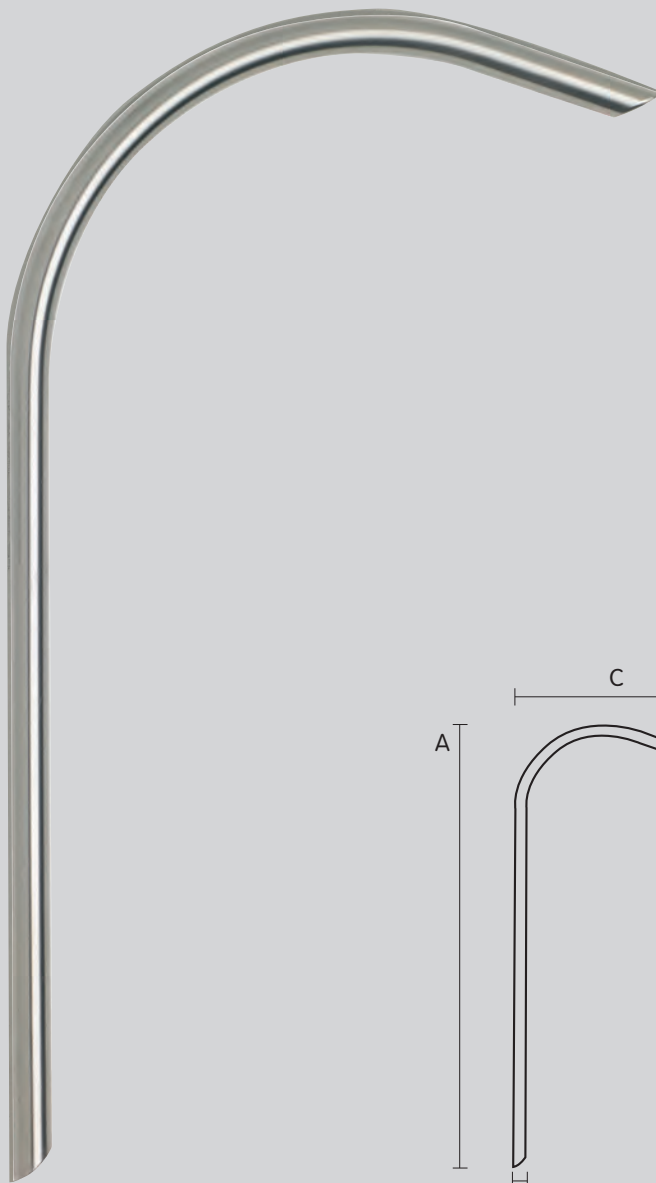
T: (02) 6680 1507

M: 0422 267 313

E: [jason@byrongreenlights.com.au](mailto:jason@byrongreenlights.com.au)

# Light This Light That LED 'Triffid Slim'

316 Marine Grade Stainless Steel  
Extremely low voltage



Your **The Light This Light That** 316 'Marine Grade' Stainless Steel Path light is IP66 rated.

This light system contains non replaceable parts. Do not attempt to force open the light.

model	dimensions			light source	current
	length (A)	width (b)	reach (c)	#5mm led	mA (max)
LTPS1M	170mm	10mm	90m	1	20
LTPS1	500mm	10mm	170mm	1	20
LTPS2	1000mm	19mm	550mm	2	20
LTPS3	1000mm	25mm	550mm	3	20
Custom					

**Note:** 1 Amp = 1000 milliamps (mA).

**Disclaimer:** Consistant with our product developemnt policy, improvements may be made which render the contents of this document different to that shown. While every care has been taken with the details on this specification sheet, Light This Light That Pty Ltd accepts no responsibility for any inaccuracies and reserves the right to change the specifications without incurring obligation. Light This Light That Pty Ltd reserves the right to change specifications without notice.

## Specifications:

**Materials:** Casing: 316 Marine Grade Stainless Steel (or solid copper)  
Face: Pexiglas Satinice® 'Pearl finish'

**Power Source:** Low Voltage 12 V DC input (regulated)

**Weatherproof Rating:** IP 66

**Pre wired:** Rear entry 900mm (length) weatherproof cable (20 gauge)

**Warranty:** 2 years

**Cabling:** Light This Light That Weatherproof harness (18 gauge) with screw in plugs, or solder connection

**LED type:** State of art:  :5mm

**LED Colours:** White. Other custom orders available

**Size:** 316 marine grade stainless steel or solid copper

## Features:

- Australian Owned
- Australian Made
- Extremely Low Voltage
- 12 volt, not dangerous
- Up to 50,000 hours life
- Directional light efficiency
- Ambient light
- Solid state technology
- No fragile glass environment
- Non corrosive materials
- Ideal for coastal environments
- No Maintenance
- No globes to maintain
- No Ultraviolet radiation
- No Infrared radiation
- No UV to attract insects
- Cool to touch
- Cool to stand on
- Doesn't burn plants
- Doesn't breakdown materials
- No Mercury
- Easy installation, easy to move
- Portable
- Choice of sizes
- Can be used as wall or eave light
- Weatherproof IP 66
- 2 year replacement warranty

Australian Owned & Australian Made

 **led garden lights**  
consultants : installers : manufacturers

DISTRIBUTOR:

BYRON  GREEN LIGHTS

Jason Hutchinson

T: (02) 6680 1507

M: 0422 267 313

E: jason@byrongreenlights.com.au

# Light This Light That Bollard

316 Marine Grade Stainless Steel or Solid Copper  
Extremely low voltage



Model shown:  
LTB6



## Specifications:

Materials: Casing: 316 Marine Grade Stainless Steel (or solid copper)  
Lense: Poly Carbon lense.  
UV protected and shatterproof

Power Source: Low Voltage 12 V DC input (regulated)

Weatherproof Rating: IP 68

Pre wired: Rear entry 900mm (length) weatherproof cable (20 gauge)

Warranty: 2 years

Cabling: Light This Light That Weatherproof harness (18 gauge) with screw in plugs, or solder connection

LED type: State of art: :5mm

LED Colours: Warm White or Cool White

## Features:

- Australian Owned
- Australian Made
- Extremely Low Voltage
- 12 volt, not dangerous
- Up to 50,000 hours life
- Directional light efficiency
- Ambient light
- Solid state technology
- No fragile glass environment
- Non corrosive materials
- Ideal for coastal environments
- No Maintenance
- No globes to maintain
- No Ultraviolet radiation
- No Infrared radiation
- No UV to attract insects
- Cool to touch
- Cool to stand on
- Doesn't burn plants
- Doesn't breakdown materials
- No Mercury
- Easy installation, easy to move
- Portable
- Choice of sizes
- Weatherproof IP 68
- 2 year replacement warranty

The Light This Light That 316 'Marine Grade' Stainless Steel and Solid Copper Bollards are available in three models. Your Light This Light That LED Bollard is IP68 rated, which means it can be installed outdoors, under water, in your pond or water feature.

This light system contains non replaceable parts. Do not attempt to force open the light.

model	dimensions		light source	current
	length (A)	depth (b)		
LTB6	910mm	32mm	#5mm led	40 mA (max)
LTB12	955mm	38mm	12	80
LTB30	1200mm	75mm	30	200

Note: 1 Amp = 1000 milliamps (mA).

**Disclaimer:** Consistant with our product developemnt policy, improvements may be made which render the contents of this document different to that shown. While every care has been taken with the details on this specification sheet, Light This Light That Pty Ltd accepts no responsibility for any inaccuracies and reserves the right to change the specifications without incurring obligation. Light This Light That Pty Ltd reserves the right to change specifications without notice.

Australian Owned & Australian Made

Light this light that  
led garden lights  
consultants : installers : manufacturers

DISTRIBUTOR:

BYRON GREEN LIGHTS

Jason Hutchinson

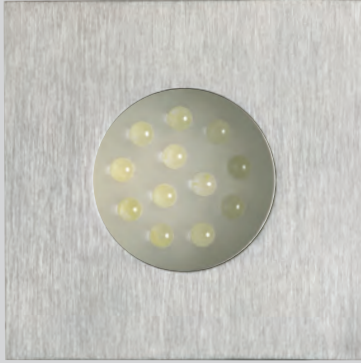
T: (02) 6680 1507

M: 0422 267 313

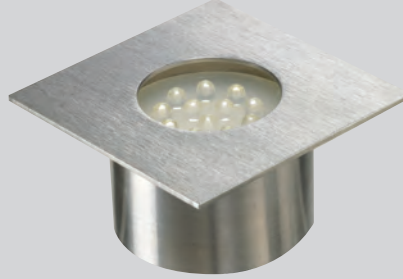
E: jason@byrongreenlights.com.au

# Light This Light That LED Deck, Wall & Eave Lights

316 Marine Grade Stainless Steel  
Extremely low voltage



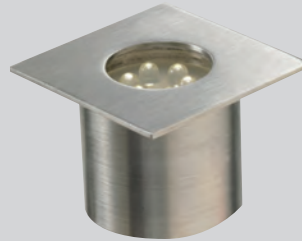
Model shown:  
LTD12



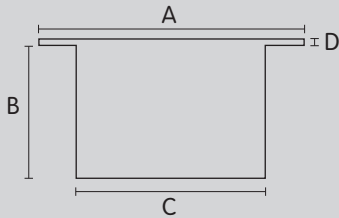
Model shown:  
LTD6



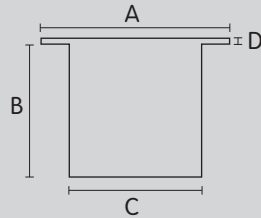
Model shown:  
LTD3



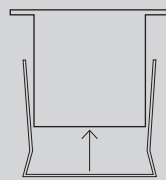
Profile is the same  
for both the LTD6  
and LTD3



Model shown:  
LTD12



Model shown:  
LTD6 and LTD3



Press fixing clip over  
bottom of light casing

The Light This Light That 316 'Marine Grade' Stainless Steel Deck lights are available in three models. Your Light This Light That LED Deck light is IP68 rated, which means it can be installed outdoors, under water, in your pond or water feature.

This light system contains non replaceable parts. Do not attempt to force open the light.

model	dimensions				light source	current
	length (A)	depth (b)	width (c)	thickness (d)		
LTD3	50mm x 50mm	40mm	38mm	1.5mm	#5mm led 3	20
LTD6	50mm x 50mm	40mm	38mm	1.5mm	6	40
LTD12	70mm x 70mm	40mm	50mm	1.5mm	12	80

Note: 1 Amp = 1000 milliamps (mA).

**Disclaimer:** Consistent with our product development policy, improvements may be made which render the contents of this document different to that shown. While every care has been taken with the details on this specification sheet, Light This Light That Pty Ltd accepts no responsibility for any inaccuracies and reserves the right to change the specifications without incurring obligation. Light This Light That Pty Ltd reserves the right to change specifications without notice.

## Specifications:


**Materials:**  
**Casing:** 316 Marine Grade Stainless Steel (or solid copper)  
**Flange:** 316 Marine Grade Stainless steel (or solid copper)  
**Back:** 316 Marine Grade Stainless steel (or solid copper)  
**Face:** Pexiglas Satinice® 'Pearl finish'  
**Lense:** SAR (Super Abrasion Resistant Acrylic) Acrylic — resists impact and shattering, 5 x impact resistance of glass, resists chemicals and abrasion. Weatherproof

**Power Source:** Low Voltage 12 V DC input (regulated)

**Weatherproof Rating:** IP 68  
**Pre wired:** Rear entry 900mm (length) weatherproof cable (20 gauge)

**Warranty:** 2 years  
**Cabling:** Light This Light That Weatherproof harness (18 gauge) with screw in plugs, or solder connection

**Fixing clip:** Easy to fix to villaboard, plaster walls or eaves, press and fit installation

**LED type:** State of art:  :5mm  
**LED Colours:** White. Other custom orders available  
**Size:** Designed to suit standard 45mm dressed steps

## Features:

- Australian Owned
- Australian Made
- Extremely Low Voltage
- 12 volt, not dangerous
- Up to 50,000 hours life
- Directional light efficiency
- Solid state technology
- No fragile glass environment
- Non corrosive materials
- Ideal for coastal environments
- No Maintenance
- No globes to maintain
- No Ultraviolet radiation
- No Infrared radiation
- No UV to attract insects
- Cool to touch
- Cool to stand on
- Doesn't burn plants
- Doesn't breakdown materials
- Easy installation, easy to move
- Can be used as wall or eave light
- Weatherproof IP 68
- 2 year replacement warranty

Australian Owned & Australian Made

 Light this light that  
**led garden lights**  
 consultants : installers : manufacturers

DISTRIBUTOR:

BYRON GREEN LIGHTS

Jason Hutchinson

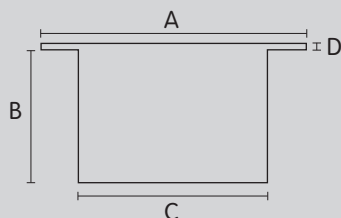
T: (02) 6680 1507

M: 0422 267 313

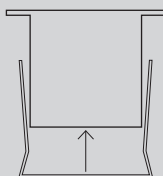
E: jason@byrongreenlights.com.au

# Light This Light That LED Square Face Deck, Wall & Eave Lights

316 Marine Grade Stainless Steel  
Extremely low voltage



Model shown:  
LTDS4



Press fixing clip over  
bottom of light casing

The Light This Light That 316 'Marine Grade' Stainless Steel Square Face Deck lights are IP68 rated, which means it can be installed outdoors, under water, in your pond or water feature.

This light system contains non replaceable parts.  
Do not attempt to force open the light.

model	dimensions				light source	current
	length (A)	depth (b)	width (c)	thickness (d)		
LTDS4	70mm x 70mm	40mm	50mm	1.5mm	#5mm led	20

Note: 1 Amp = 1000 milliamps (mA).

**Disclaimer:** Consistant with our product developemnt policy, improvements may be made which render the contents of this document different to that shown. While every care has been taken with the details on this specification sheet, Light This Light That Pty Ltd accepts no responsibility for any inaccuracies and reserves the right to change the specifications without incurring obligation. Light This Light That Pty Ltd reserves the right to change specifications without notice.

## Specifications:


**Materials:**  
**Casing:** 316 Marine Grade Stainless Steel (or solid copper)  
**Flange:** 316 Marine Grade Stainless steel (or solid copper)  
**Back:** 316 Marine Grade Stainless steel (or solid copper)  
**Face:** Pexiglas Satinice® 'Pearl finish'  
**Lense:** SAR (Super Abrasion Resistant Acrylic) Acrylic — resists impact and shattering, 5 x impact resistance of glass, resists chemicals and abrasion. Weatherproof

**Power Source:** Low Voltage 12 V DC input (regulated)

**Weatherproof Rating:** IP 68  
**Pre wired:** Rear entry 900mm (length) weatherproof cable (20 gauge)

**Warranty:** 2 years  
**Cabling:** Light This Light That Weatherproof harness (18 gauge) with screw in plugs, or solder connection

**Fixing clip:** Easy to fix to villaboard, plaster walls or eaves, press and fit installation

**LED type:** State of art: :5mm  
**LED Colours:** White. Other custom orders available  
**Size:** Designed to suit standard 45mm dressed steps

## Features:

- Australian Owned
- Australian Made
- Extremely Low Voltage
- 12 volt, not dangerous
- Up to 50,000 hours life
- Directional light efficiency
- Solid state technology
- No fragile glass environment
- Non corrosive materials
- Ideal for coastal environments
- No Maintenance
- No globes to maintain
- No Ultraviolet radiation
- No Infrared radiation
- No UV to attract insects
- Cool to touch
- Cool to stand on
- Doesn't burn plants
- Doesn't breakdown materials
- Easy installation, easy to move
- Can be used as wall or eave light
- Weatherproof IP 68
- 2 year replacement warranty

Australian Owned & Australian Made

 Light this Light that  
**led garden lights**  
 consultants : installers : manufacturers

DISTRIBUTOR:  
 BYRON GREEN LIGHTS

Jason Hutchinson  
 T: (02) 6680 1507  
 M: 0422 267 133  
 E: jason@byrongreenlights.com.au

# Light This Light That LED 'Pivot' Wall Light

316 Marine Grade Stainless Steel  
Extremely low voltage



Model shown:  
LTWP12



Model shown:  
LTWP6

Your **The Light This Light That** 316 'Marine Grade' Stainless Steel  
LED 'Ellipse' Wall light is IP68 rated.

This light system contains non replaceable parts.

Do not attempt to force open the light.

model	dimensions				mount plate	light source #5mm led	current mA (max)
	length (A)	length (b)	width (c)	length (d)			
LTWP30	40mm	40mm	10mm	120mm	1	30	200
LTWP21	32mm	50mm	25mm	150mm	1	21	140
LTWP12	39mm	60mm	32mm	170mm	1	12	80
LTWP6	45mm	70mm	38mm	170mm	1	6	40

**Note:** 1 Amp = 1000 milliamps (mA).

**Disclaimer:** Consistant with our product developemnt policy, improvements may be made which render the contents of this document different to that shown. While every care has been taken with the details on this specification sheet, Light This Light That Pty Ltd accepts no responsibility for any inaccuracies and reserves the right to change the specifications without incurring obligation. Light This Light That Pty Ltd reserves the right to change specifications without notice.

## Specifications:

Materials:	<u>Casing:</u> 316 Marine Grade Stainless Steel <u>Face:</u> Pexiglas Satinice® 'Pearl finish'
Power Source:	Low Voltage 12 V DC input (regulated)
Weatherproof Rating:	IP 68
Pre wired:	Rear entry 900mm (length) weatherproof cable (20 gauge)
Warranty:	2 years
Cabling:	Light This Light That Weatherproof harness (18 gauge) with screw in plugs, or solder connection
LED type:	State of art:  NICHIA :5mm
LED Colours:	Warm white or coll white. Other custom orders available
Option:	2 sizes

## Features:

- Australian Owned
- Australian Made
- Extremely Low Voltage
- 12 volt, not dangerous
- Up to 50,000 hours life
- Directional light efficiency
- Ambient light
- Solid state technology
- No fragile glass environment
- Non corrosive materials
- Ideal for coastal environments
- No Maintenance
- No globes to maintain
- No Ultraviolet radiation
- No Infrared radiation
- No UV to attract insects
- Cool to touch
- Doesn't burn plants
- Doesn't breakdown materials
- No Mercury
- Easy installation, easy to move
- Portable
- Choice of sizes
- Weatherproof IP 68
- 2 year replacement warranty

Australian Owned & Australian Made

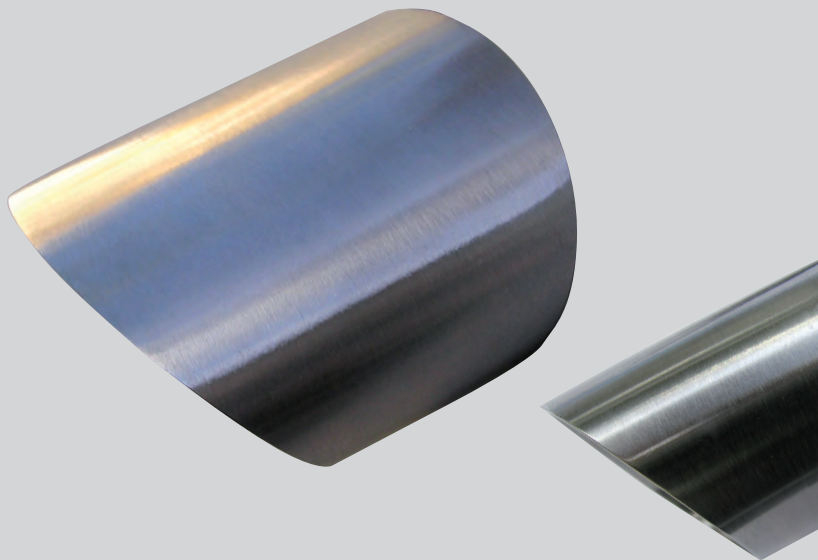
 Light this Light that  
led garden lights  
consultants : installers : manufacturers

DISTRIBUTOR:  
BYRON  GREEN LIGHTS

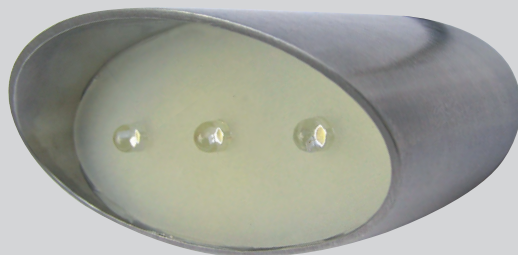
Jason Hutchinson  
T: (02) 6680 1507  
M: 0422 267 313  
E: jason@byrongreenlights.com.au

# Light This Light That LED 'Ellipse' Wall Light

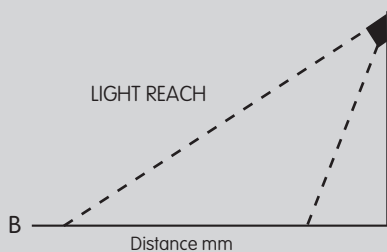
316 Marine Grade Stainless Steel  
Extremely low voltage



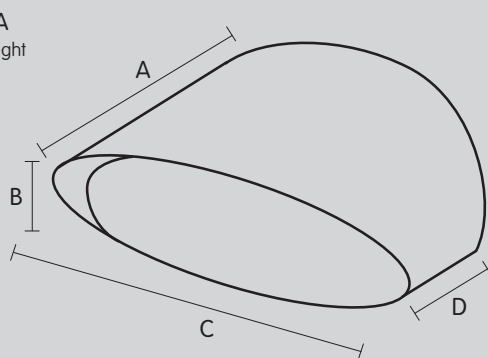
Model shown:  
LTWE1



Model shown:  
LTWE3



Height mm	Reach mm
A	B
500	2000
750	4000



Your **The Light This Light That** 316 'Marine Grade' Stainless Steel LED 'Ellipse' Wall light is IP68 rated.  
This light system contains non replaceable parts.  
Do not attempt to force open the light.

model	dimensions				light source	current
	(a)	(b)	(c)	(d)	#5mm led	mA (max)
LTWE3	60	45	80	15	3	20
LTWE1	40	27	45	10	1	20

**Note:** 1 Amp = 1000 milliamps (mA).

**Disclaimer:** Consistant with our product developemnt policy, improvements may be made which render the contents of this document different to that shown. While every care has been taken with the details on this specification sheet, Light This Light That Pty Ltd accepts no responsibility for any inaccuracies and reserves the right to change the specifications without incurring obligation. Light This Light That Pty Ltd reserves the right to change specifications without notice.

## Specifications:

**Materials:** Casing: 316 Marine Grade Stainless Steel  
Face: Pexiglas Satinice® 'Pearl finish'

**Power Source:** Low Voltage 12 V DC input (regulated)

**Weatherproof Rating:** IP 68

**Pre wired:** Rear entry 900mm (length) weatherproof cable (20 gauge)

**Warranty:** 2 years

**Cabling:** Light This Light That Weatherproof harness (18 gauge) with screw in plugs, or solder connection

**LED type:** State of art: :5mm

**LED Colours:** Warm white or coll white.  
Other custom orders available

**Option:** 2 sizes

## Features:

- Australian Owned
- Australian Made
- Extremely Low Voltage
- 12 volt, not dangerous
- Up to 50,000 hours life
- Directional light efficiency
- Ambient light
- Solid state technology
- No fragile glass environment
- Non corrosive materials
- Ideal for coastal environments
- No Maintenance
- No globes to maintain
- No Ultraviolet radiation
- No Infrared radiation
- No UV to attract insects
- Cool to touch
- Doesn't burn plants
- Doesn't breakdown materials
- No Mercury
- Easy installation, easy to move
- Portable
- Choice of sizes
- Weatherproof IP 68
- 2 year replacement warranty

Australian Owned & Australian Made

**led garden lights**  
consultants : installers : manufacturers

DISTRIBUTOR:

BYRON GREEN LIGHTS

Jason Hutchinson

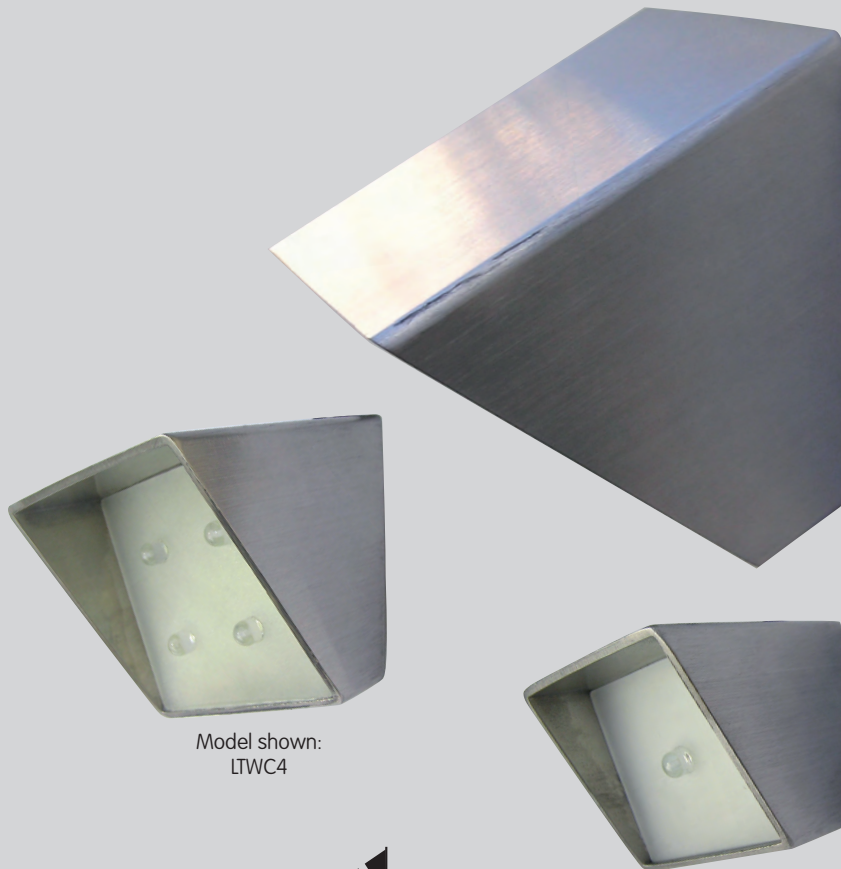
T: (02) 6680 1507

M: 0422 267 313

E: jason@byrongreenlights.com.au

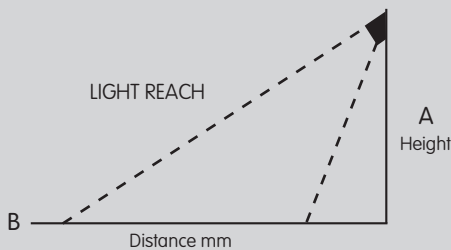
# Light This Light That LED 'Cube' Wall Light

316 Marine Grade Stainless Steel  
Extremely low voltage

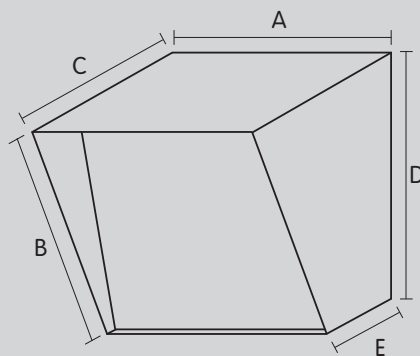


Model shown:  
LTWC4

Model shown:  
LTWC1



Height mm	Reach mm
A	B
500	2000
750	4000



## Specifications:

- Materials: Casing: 316 Marine Grade Stainless Steel  
Face: Pexiglas Satinice® 'Pearl finish'
- Power Source: Low Voltage 12 V DC input (regulated)
- Weatherproof Rating: IP 68
- Pre wired: Rear entry 900mm (length) weatherproof cable (20 gauge)
- Warranty: 2 years
- Cabling: Light This Light That Weatherproof harness (18 gauge) with screw in plugs, or solder connection
- LED type: State of art: :5mm
- LED Colours: White and Blue. Other custom orders available
- Size: 2 sizes

## Features:

- Australian Owned
- Australian Made
- Extremely Low Voltage
- 12 volt, not dangerous
- Up to 50,000 hours life
- Directional light efficiency
- Ambient light
- Solid state technology
- No fragile glass environment
- Non corrosive materials
- Ideal for coastal environments
- No Maintenance
- No globes to maintain
- No Ultraviolet radiation
- No Infrared radiation
- No UV to attract insects
- Cool to touch
- Doesn't burn plants
- Doesn't breakdown materials
- No Mercury
- Easy installation, easy to move
- Choice of sizes
- Weatherproof IP 68
- 2 year replacement warranty

Your **The Light This Light That** 316 'Marine Grade' Stainless Steel 'Cube' Wall Light is IP66 rated.

This light system contains non replaceable parts.  
Do not attempt to force open the light.

model	dimensions					light source	current
	(a)	(b)	(c)	(d)	(e)		
LTWC4	50	55	60	55	15	#5mm led	mA (max)
LTWC1	38	40	50	40	15	4	20
						1	20

**Note:** 1 Amp = 1000 milliamps (mA).

**Disclaimer:** Consistant with our product developemnt policy, improvements may be made which render the contents of this document different to that shown. While every care has been taken with the details on this specification sheet, Light This Light That Pty Ltd accepts no responsibility for any inaccuracies and reserves the right to change the specifications without incurring obligation. Light This Light That Pty Ltd reserves the right to change specifications without notice.

Australian Owned & Australian Made

**led garden lights**  
consultants : installers : manufacturers

DISTRIBUTOR:

BYRON GREEN LIGHTS

Jason Hutchinson

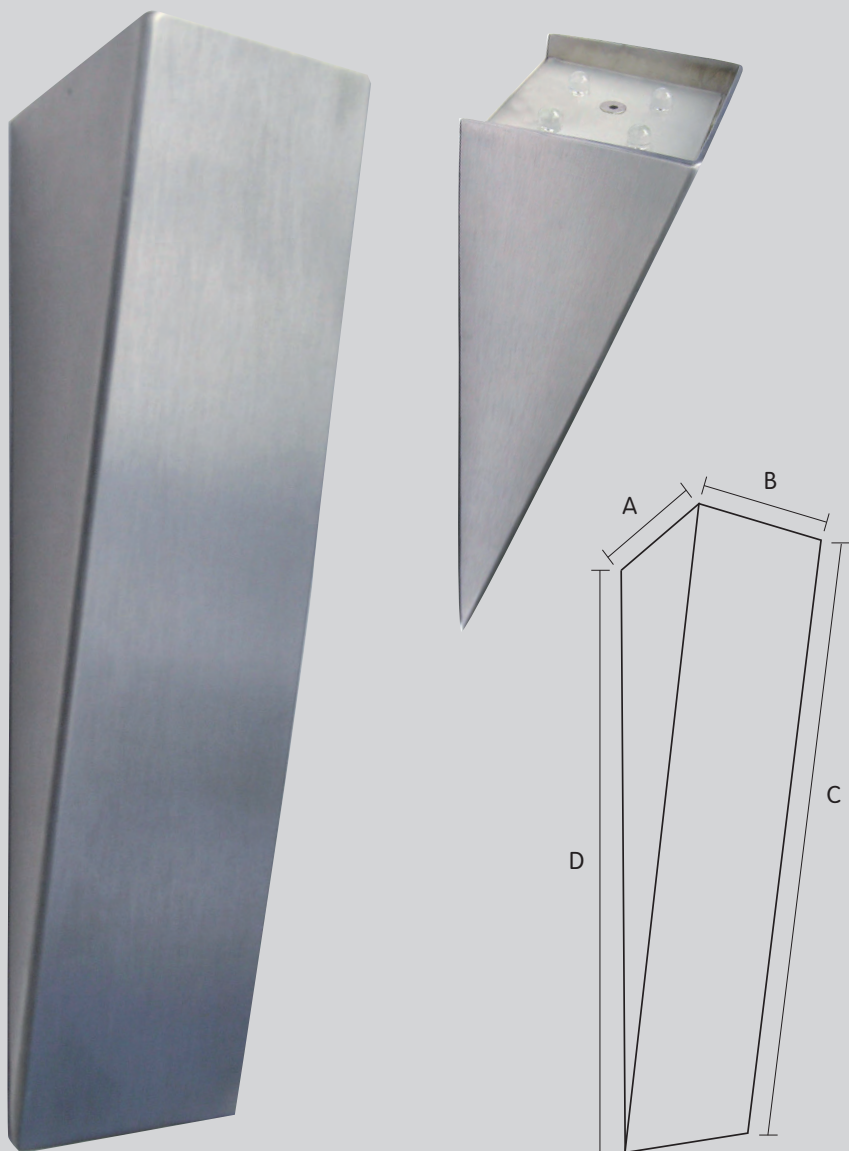
T: (02) 6680 1507

M: 0422 267 313

E: jason@byrongreenlights.com.au

# Light This Light That LED Wall Up-Light

316 Marine Grade Stainless Steel  
Extremely low voltage



Your **The Light This Light That** 316 'Marine Grade' Stainless Steel LED Wall Up-Light is IP68 rated.

This light system contains non replaceable parts. Do not attempt to force open the light.

model	dimensions				light source	current
	(a)	(b)	(c)	(d)		
LTWU4	45	50	200	190	#5mm led	4 mA (max)

**Note:** 1 Amp = 1000 milliamps (mA).

## Specifications:

Materials: Casing: 316 Marine Grade Stainless Steel or Solid Copper  
Face: Pexiglas Satinice® 'Pearl finish'

Power Source: Low Voltage 12 V DC input (regulated)

Weatherproof Rating: IP 68

Pre wired: Rear entry 900mm (length) weatherproof cable (20 gauge)

Warranty: 2 years

Cabling: Light This Light That Weatherproof harness (18 gauge) with screw in plugs, or solder connection

LED type: State of art:  :5mm

LED Colours: White or Warm White  
Other custom colours available

## Features:

- Australian Owned
- Australian Made
- Extremely Low Voltage
- 12 volt, not dangerous
- Up to 50,000 hours life
- Directional light efficiency
- Ambient light
- Solid state technology
- No fragile glass environment
- Non corrosive materials
- Ideal for coastal environments
- No Maintenance
- No globes to maintain
- No Ultraviolet radiation
- No Infrared radiation
- No UV to attract insects
- Cool to touch
- Doesn't burn plants
- Doesn't breakdown materials
- No Mercury
- Easy installation, easy to move
- Weatherproof IP 68
- 2 year replacement warranty

Australian Owned & Australian Made

 Light this Light that

led garden lights  
consultants : installers : manufacturers

DISTRIBUTOR:

BYRON GREEN LIGHTS

Jason Hutchinson

T: (02) 6680 1507

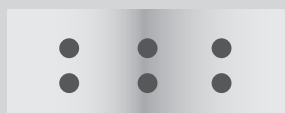
M: 0422 267 313

E: [jason@byrongreenlights.com.au](mailto:jason@byrongreenlights.com.au)

**Disclaimer:** Consistant with our product developemnt policy, improvements may be made which render the contents of this document different to that shown. While every care has been taken with the details on this specification sheet, Light This Light That Pty Ltd accepts no responsibility for any inaccuracies and reserves the right to change the specifications without incurring obligation. Light This Light That Pty Ltd reserves the right to change specifications without notice.

# Light This Light That LED Wall Up-and-Down-Light

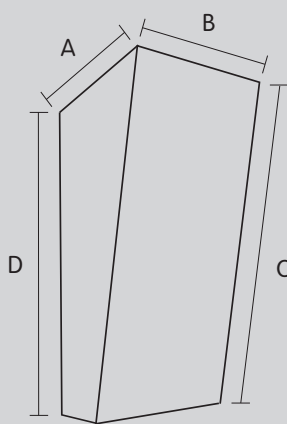
316 Marine Grade Stainless Steel  
Extremely low voltage



Top light source



Bottom light source



## Specifications:

Materials: Casing: 316 Marine Grade Stainless Steel or Solid Copper  
Face: Pexiglas Satinice® 'Pearl finish'

Power Source: Low Voltage 12 V DC input (regulated)

Weatherproof Rating: IP 68

Pre wired: Rear entry 900mm (length) weatherproof cable (20 gauge)

Warranty: 2 years

Cabling: Light This Light That Weatherproof harness (18 gauge) with screw in plugs, or solder connection

LED type: State of art:  :5mm

LED Colours: Cool or Warm White  
Other custom colours available

## Features:

- Australian Owned
- Australian Made
- Extremely Low Voltage
- 12 volt, not dangerous
- Up to 50,000 hours life
- Directional light efficiency
- Ambient light
- Solid state technology
- No fragile glass environment
- Non corrosive materials
- Ideal for coastal environments
- No Maintenance
- No globes to maintain
- No Ultraviolet radiation
- No Infrared radiation
- No UV to attract insects
- Cool to touch
- Doesn't burn plants
- Doesn't breakdown materials
- No Mercury
- Easy installation, easy to move
- Weatherproof IP 68
- 2 year replacement warranty

Your **The Light This Light That** 316 'Marine Grade' Stainless Steel LED Wall Up-Light is IP68 rated.

This light system contains non replaceable parts. Do not attempt to force open the light.

model	dimensions				light source	current
	(a)	(b)	(c)	(d)	#5mm led	mA (max)
LTWU4	45	50	100	95	9	60

**Note:** 1 Amp = 1000 milliamps (mA).

Australian Owned & Australian Made

 Light this Light that

led garden lights  
consultants : installers : manufacturers

DISTRIBUTOR:

BYRON GREEN LIGHTS

Jason Hutchinson

T: (02) 6680 1507

M: 0422 267 313

E: [jason@byrongreenlights.com.au](mailto:jason@byrongreenlights.com.au)

**Disclaimer:** Consistant with our product developemnt policy, improvements may be made which render the contents of this document different to that shown. While every care has been taken with the details on this specification sheet, Light This Light That Pty Ltd accepts no responsibility for any inaccuracies and reserves the right to change the specifications without incurring obligation. Light This Light That Pty Ltd reserves the right to change specifications without notice.

# Light This Light That LED Wall Up-and-Down-Light

316 Marine Grade Stainless Steel  
Extremely low voltage



## Specifications:

Materials: Casing: 316 Marine Grade Stainless Steel or Solid Copper  
Face: Pexiglas Satinice® 'Pearl finish'

Power Source: Low Voltage 12 V DC input (regulated)

Weatherproof Rating: IP 68

Pre wired: Rear entry 900mm (length) weatherproof cable (20 gauge)

Warranty: 2 years

Cabling: Light This Light That Weatherproof harness (18 gauge) with screw in plugs, or solder connection

LED type: State of art:  :5mm

LED Colours: Cool or Warm White  
Other custom colours available

## Features:

- Australian Owned
- Australian Made
- Extremely Low Voltage
- 12 volt, not dangerous
- Up to 50,000 hours life
- Directional light efficiency
- Ambient light
- Solid state technology
- No fragile glass environment
- Non corrosive materials
- Ideal for coastal environments
- No Maintenance
- No globes to maintain
- No Ultraviolet radiation
- No Infrared radiation
- No UV to attract insects
- Cool to touch
- Doesn't burn plants
- Doesn't breakdown materials
- No Mercury
- Easy installation, easy to move
- Weatherproof IP 68
- 2 year replacement warranty

Your **The Light This Light That** 316 'Marine Grade' Stainless Steel LED Wall Up-Light is IP68 rated.

This light system contains non replaceable parts. Do not attempt to force open the light.

model	dimensions		light source	current
	(a)	(b)		
LTWU4	90	50	#5mm led	mA (max)
			12	80

**Note:** 1 Amp = 1000 milliamps (mA).

Australian Owned & Australian Made

 Light this Light that  
led garden lights  
consultants : installers : manufacturers

DISTRIBUTOR:

BYRON GREEN LIGHTS

Jason Hutchinson

T: (02) 6680 1507

M: 0422 267 313

E: jason@byrongreenlights.com.au

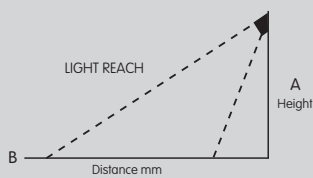
**Disclaimer:** Consistant with our product developemnt policy, improvements may be made which render the contents of this document different to that shown. While every care has been taken with the details on this specification sheet, Light This Light That Pty Ltd accepts no responsibility for any inaccuracies and reserves the right to change the specifications without incurring obligation. Light This Light That Pty Ltd reserves the right to change specifications without notice.

# Light This Light That LED '35 Degree' Wall Lights

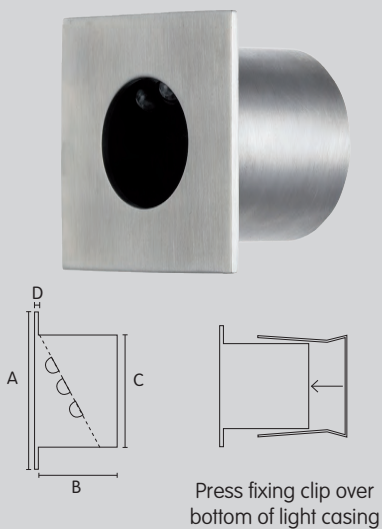
## Square/Circle



Model shown:  
LTW35-SS-9-L



Height mm	Reach mm
A	B
500	2000
750	4000



### Specifications:


**Materials:** Casing: 316 Marine Grade Stainless Steel (or solid copper)  
Flange: 316 Marine Grade Stainless steel (or solid copper)  
Back: 316 Marine Grade Stainless steel (or solid copper)  
Face: Pexiglas 'black finish'

**Power Source:** Low Voltage 12 V DC input (regulated)

**Weatherproof Rating:** IP 68  
**Pre wired:** Rear entry 900mm (length) weatherproof cable (20 gauge)

**Warranty:** 2 years  
**Cablings:** Light This Light That Weatherproof harness (18 gauge) with screw in plugs, or solder connection

**Fixing clip:** Easy to fix to villaboard, plaster walls or eaves, press and fit installation

**LED type:** State of art:  :5mm  
**LED Colours:** Cool white or Warm white.  
Other custom colours available.

### Features:

- Australian Owned
- Australian Made
- Extremely Low Voltage
- 12 volt, not dangerous
- Up to 50,000 hours life
- Directional light efficiency
- Ambient light
- Solid state technology
- No fragile glass environment
- Non corrosive materials
- Ideal for coastal environments
- No Maintenance
- No globes to maintain
- No Ultraviolet radiation
- No Infrared radiation
- No UV to attract insects
- Cool to touch
- Cool to stand on
- Doesn't burn plants
- Doesn't breakdown materials
- No Mercury
- Easy installation, easy to move
- Portable
- Choice of sizes
- Can be used as wall or eave light
- Weatherproof IP 68
- 2 year replacement warranty

The **Light This Light That** 316 'Marine Grade' Stainless Steel '35 Degree' Wall lights are available in four sizes. Your Light This Light That LED Wall light is IP68 rated which means it can be installed outdoors.

This light system contains non replaceable parts. Do not attempt to force open the light.

model	dimensions				light source	current
	length (A)	depth (b)	width (c)	thickness (d)		
LTD3	50mm x 50mm	40mm	38mm	1.5mm	3	20
LTD6	50mm x 50mm	40mm	38mm	1.5mm	6	40
LTD12	70mm x 70mm	40mm	50mm	1.5mm	6	80
LTD12	70mm x 70mm	40mm	50mm	1.5mm	9	80

**Note:** 1 Amp = 1000 milliamps (mA).

**Disclaimer:** Consistent with our product developemnt policy, improvements may be made which render the contents of this document different to that shown. While every care has been taken with the details on this specification sheet, Light This Light That Pty Ltd accepts no responsibility for any inaccuracies and reserves the right to change the specifications without incurring obligation. Light This Light That Pty Ltd reserves the right to change specifications without notice.

Australian Owned & Australian Made

 **Light this light that**  
**led garden lights**  
consultants : installers : manufacturers

DISTRIBUTOR:

BYRON  GREEN LIGHTS

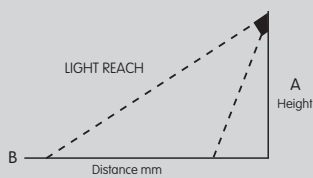
Jason Hutchinson  
T: (02) 6680 1507  
M: 0422 267 313  
E: jason@byrongreenlights.com.au

# Light This Light That LED '35 Degree' Wall Lights

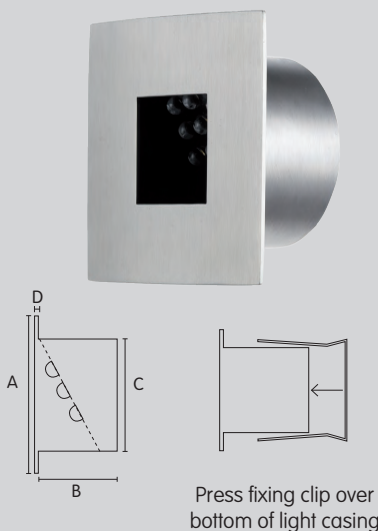
## Square/Square




Model shown:  
LTW35-SS-9-L



Height mm	Reach mm
A	B
500	2000
750	4000



### Specifications:

- Materials:** Casing: 316 Marine Grade Stainless Steel (or solid copper)  
Flange: 316 Marine Grade Stainless steel (or solid copper)  
Back: 316 Marine Grade Stainless steel (or solid copper)  
Face: Pexiglas' black finish'
- Power Source:** Low Voltage 12 V DC input (regulated)
- Weatherproof Rating:** IP 68
- Pre wired:** Rear entry 900mm (length) weatherproof cable (20 gauge)
- Warranty:** 2 years
- Cabling:** Light This Light That Weatherproof harness (18 gauge) with screw in plugs, or solder connection
- Fixing clip:** Easy to fix to villaboard, plaster walls or eaves, press and fit installation
- LED type:** State of art:  :5mm
- LED Colours:** Cool white or Warm white.  
Other custom colours available.

### Features:

- Australian Owned
- Australian Made
- Extremely Low Voltage
- 12 volt, not dangerous
- Up to 50,000 hours life
- Directional light efficiency
- Ambient light
- Solid state technology
- No fragile glass environment
- Non corrosive materials
- Ideal for coastal environments
- No Maintenance
- No globes to maintain
- No Ultraviolet radiation
- No Infrared radiation
- No UV to attract insects
- Cool to touch
- Cool to stand on
- Doesn't burn plants
- Doesn't breakdown materials
- No Mercury
- Easy installation, easy to move
- Portable
- Choice of sizes
- Can be used as wall or eave light
- Weatherproof IP 68
- 2 year replacement warranty

The **Light This Light That** 316 'Marine Grade' Stainless Steel '35 Degree' Wall lights are available in four sizes. Your Light This Light That LED Wall light is IP68 rated which means it can be installed outdoors.

This light system contains non replaceable parts. Do not attempt to force open the light.

model	dimensions				light source	current
	length (A)	depth (b)	width (c)	thickness (d)		
LTD3	50mm x 50mm	40mm	38mm	1.5mm	3	20
LTD6	50mm x 50mm	40mm	38mm	1.5mm	6	40
LTD12	70mm x 70mm	40mm	50mm	1.5mm	6	40
LTD12	70mm x 70mm	40mm	50mm	1.5mm	9	60

**Note:** 1 Amp = 1000 milliamps (mA).

**Disclaimer:** Consistent with our product developemnt policy, improvements may be made which render the contents of this document different to that shown. While every care has been taken with the details on this specification sheet, Light This Light That Pty Ltd accepts no responsibility for any inaccuracies and reserves the right to change the specifications without incurring obligation. Light This Light That Pty Ltd reserves the right to change specifications without notice.

Australian Owned & Australian Made

 **led garden lights**  
consultants : installers : manufacturers

DISTRIBUTOR:

BYRON GREEN LIGHTS

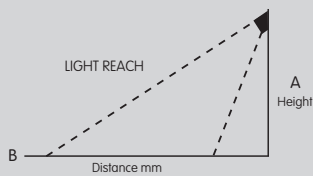
Jason Hutchinson  
T: (02) 6680 1507  
M: 0422 267 313  
E: jason@byrongreenlights.com.au

# Light This Light That LED '35 Degree' Wall Lights

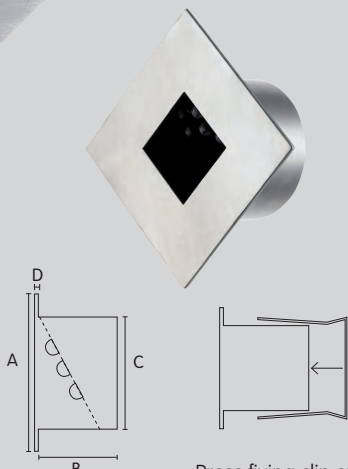
Diamond



Model shown:  
LTW35-SS-9-L



Height mm	Reach mm
A	B
500	2000
750	4000



Press fixing clip over bottom of light casing

## Specifications:

Materials: Casing: 316 Marine Grade Stainless Steel (or solid copper)  
Flange: 316 Marine Grade Stainless steel (or solid copper)  
Back: 316 Marine Grade Stainless steel (or solid copper)  
Face: Pexiglas 'black finish'

Power Source: Low Voltage 12 V DC input (regulated)


Weatherproof Rating: IP 68

Pre wired: Rear entry 900mm (length) weatherproof cable (20 gauge)

Warranty: 2 years

Cabling: Light This Light That Weatherproof harness (18 gauge) with screw in plugs, or solder connection

Fixing clip: Easy to fix to villaboard, plaster walls or eaves, press and fit installation

LED type: State of art:  :5mm  
LED Colours: Cool white or Warm white.  
Other custom colours available.

## Features:

- Australian Owned
- Australian Made
- Extremely Low Voltage
- 12 volt, not dangerous
- Up to 50,000 hours life
- Directional light efficiency
- Ambient light
- Solid state technology
- No fragile glass environment
- Non corrosive materials
- Ideal for coastal environments
- No Maintenance
- No globes to maintain
- No Ultraviolet radiation
- No Infrared radiation
- No UV to attract insects
- Cool to touch
- Cool to stand on
- Doesn't burn plants
- Doesn't breakdown materials
- No Mercury
- Easy installation, easy to move
- Portable
- Choice of sizes
- Can be used as wall or eave light
- Weatherproof IP 68
- 2 year replacement warranty

The **Light This Light That** 316 'Marine Grade' Stainless Steel '35 Degree' Wall lights are available in four sizes. Your Light This Light That LED Wall light is IP68 rated which means it can be installed outdoors.

This light system contains non replaceable parts. Do not attempt to force open the light.

model	dimensions				light source	current
	length (A)	depth (b)	width (c)	thickness (d)		
LTD3	50mm x 50mm	40mm	38mm	1.5mm	#5mm led	20 mA (max)
LTD6	50mm x 50mm	40mm	38mm	1.5mm	6	40
LTD12	70mm x 70mm	40mm	50mm	1.5mm	6	40
LTD12	70mm x 70mm	40mm	50mm	1.5mm	9	60

Note: 1 Amp = 1000 milliamps (mA).

**Disclaimer:** Consistent with our product developemnt policy, improvements may be made which render the contents of this document different to that shown. While every care has been taken with the details on this specification sheet, Light This Light That Pty Ltd accepts no responsibility for any inaccuracies and reserves the right to change the specifications without incurring obligation. Light This Light That Pty Ltd reserves the right to change specifications without notice.

Australian Owned & Australian Made

 **led garden lights**  
consultants : installers : manufacturers

DISTRIBUTOR:

BYRON GREEN LIGHTS

Jason Hutchinson

T: (02) 6680 1507

M: 0422 267 313

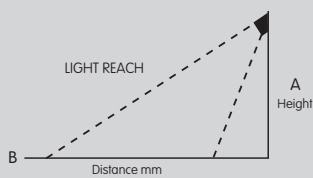
E: jason@byrongreenlights.com.au

# Light This Light That LED '35 Degree' Wall Lights

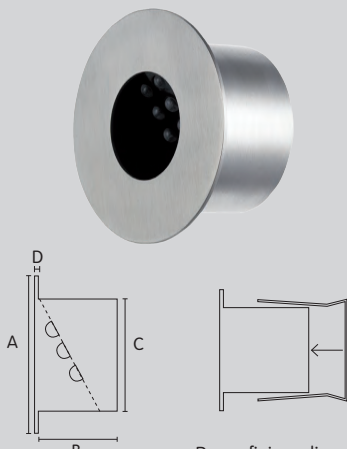
Circle/Circle



Model shown:  
LTW35-SS-9-L



Height mm	Reach mm
A	B
500	2000
750	4000



Press fixing clip over  
bottom of light casing

## Specifications:

**Materials:** Casing: 316 Marine Grade Stainless Steel (or solid copper)  
Flange: 316 Marine Grade Stainless steel (or solid copper)  
Back: 316 Marine Grade Stainless steel (or solid copper)  
Face: Pexiglas 'black finish'

**Power Source:** Low Voltage 12 V DC input (regulated)

**Weatherproof Rating:** IP 68  
**Pre wired:** Rear entry 900mm (length) weatherproof cable (20 gauge)

**Warranty:** 2 years  
**Cabling:** Light This Light That Weatherproof harness (18 gauge) with screw in plugs, or solder connection

**Fixing clip:** Easy to fix to villaboard, plaster walls or eaves, press and fit installation

**LED type:** State of art: :5mm  
**LED Colours:** Cool white or Warm white.  
Other custom colours available.

## Features:

- Australian Owned
- Australian Made
- Extremely Low Voltage
- 12 volt, not dangerous
- Up to 50,000 hours life
- Directional light efficiency
- Ambient light
- Solid state technology
- No fragile glass environment
- Non corrosive materials
- Ideal for coastal environments
- No Maintenance
- No globes to maintain
- No Ultraviolet radiation
- No Infrared radiation
- No UV to attract insects
- Cool to touch
- Cool to stand on
- Doesn't burn plants
- Doesn't breakdown materials
- No Mercury
- Easy installation, easy to move
- Portable
- Choice of sizes
- Can be used as wall or eave light
- Weatherproof IP 68
- 2 year replacement warranty

The **Light This Light That** 316 'Marine Grade' Stainless Steel '35 Degree' Wall lights are available in four sizes. Your Light This Light That LED Wall light is IP68 rated which means it can be installed outdoors.

This light system contains non replaceable parts. Do not attempt to force open the light.

model	dimensions				light source	current
	length (A)	depth (b)	width (c)	thickness (d)		
LTD3	50mm x 50mm	40mm	38mm	1.5mm	3	20
LTD6	50mm x 50mm	40mm	38mm	1.5mm	6	40
LTD12	70mm x 70mm	40mm	50mm	1.5mm	6	40
LTD12	70mm x 70mm	40mm	50mm	1.5mm	9	60

**Note:** 1 Amp = 1000 milliamps (mA).

**Disclaimer:** Consistent with our product developemnt policy, improvements may be made which render the contents of this document different to that shown. While every care has been taken with the details on this specification sheet, Light This Light That Pty Ltd accepts no responsibility for any inaccuracies and reserves the right to change the specifications without incurring obligation. Light This Light That Pty Ltd reserves the right to change specifications without notice.

Australian Owned & Australian Made

**led garden lights**  
consultants : installers : manufacturers

DISTRIBUTOR:

BYRON GREEN LIGHTS

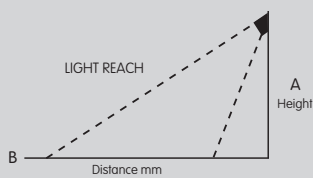
Jason Hutchinson  
T: (02) 6680 1507  
M: 0422 267 313  
E: jason@byrongreenlights.com.au

# Light This Light That LED '35 Degree' Wall Lights

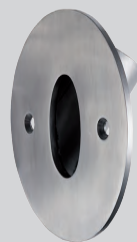
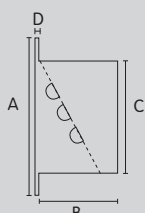
Step light




Model shown:  
LTW35-SS-9-L



Height mm	Reach mm
A	B
500	2000
750	4000



## Specifications:

- Materials: Casing: 316 Marine Grade Stainless Steel (or solid copper)  
Flange: 316 Marine Grade Stainless steel (or solid copper)  
Back: 316 Marine Grade Stainless steel (or solid copper)  
Face: Pexiglas Satinice® 'Pearl finish'
- Power Source: Low Voltage 12 V DC input (regulated)
- Weatherproof Rating: IP 68
- Pre wired: Rear entry 900mm (length) weatherproof cable (20 gauge)
- Warranty: 2 years
- Cabling: Light This Light That Weatherproof harness (18 gauge) with screw in plugs, or solder connection
- Fixing clip: Easy to fix to villaboard, plaster walls or eaves, press and fit installation
- LED type: State of art:  :5mm
- LED Colours: Cool white or Warm white.  
Other custom colours available.

## Features:

- Australian Owned
- Australian Made
- Extremely Low Voltage
- 12 volt, not dangerous
- Up to 50,000 hours life
- Directional light efficiency
- Ambient light
- Solid state technology
- No fragile glass environment
- Non corrosive materials
- Ideal for coastal environments
- No Maintenance
- No globes to maintain
- No Ultraviolet radiation
- No Infrared radiation
- No UV to attract insects
- Cool to touch
- Cool to stand on
- Doesn't burn plants
- Doesn't breakdown materials
- No Mercury
- Easy installation, easy to move
- Portable
- Choice of sizes
- Can be used as wall or eave light
- Weatherproof IP 68
- 2 year replacement warranty

Australian Owned & Australian Made

The **Light This Light That** 316 'Marine Grade' Stainless Steel '35 Degree' Wall lights are available in two sizes. Your Light This Light That LED Wall light is IP68 rated which means it can be installed outdoors.

This light system contains non replaceable parts. Do not attempt to force open the light.

model	dimensions				light source	current
	length (A)	depth (b)	width (c)	thickness (d)		
LTWSL3	100mm x 100mm	40mm	40mm	1.5mm	#5mm led	3 mA (max)
LTWSL6	100mm x 100mm	40mm	40mm	1.5mm	#5mm led	6 mA (max)

Note: 1 Amp = 1000 milliamps (mA).

**Disclaimer:** Consistent with our product developemnt policy, improvements may be made which render the contents of this document different to that shown. While every care has been taken with the details on this specification sheet, Light This Light That Pty Ltd accepts no responsibility for any inaccuracies and reserves the right to change the specifications without incurring obligation. Light This Light That Pty Ltd reserves the right to change specifications without notice.

 **Light this light that**  
**led garden lights**  
 consultants : installers : manufacturers

DISTRIBUTOR:

BYRON  GREEN LIGHTS

Jason Hutchinson

T: (02) 6680 1507

M: 0422 267 313

E: [jason@byrongreenlights.com.au](mailto:jason@byrongreenlights.com.au)