



BYRON GREEN LIGHTS

LED GARDEN & ARCHITECTURAL LIGHTING

# TECHNICAL SPEC SHEETS 2010

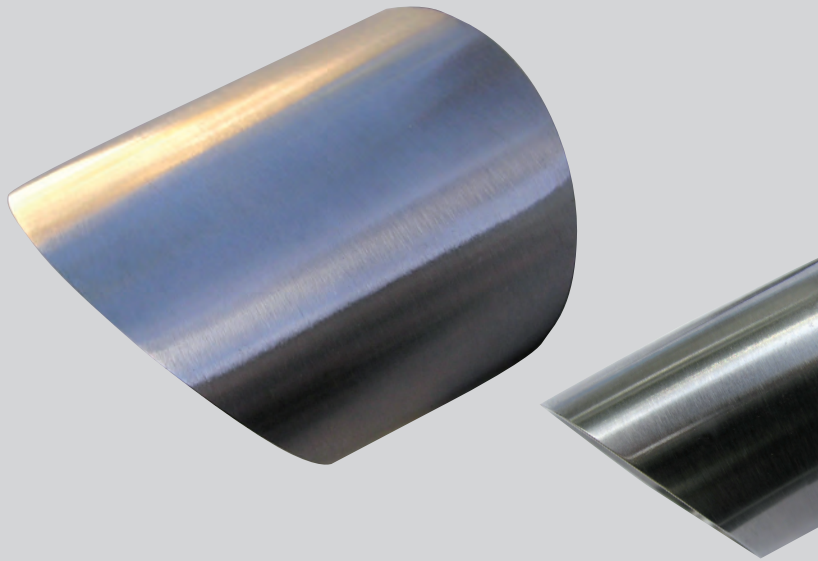
---

Cube & Ellipse Wall Lights

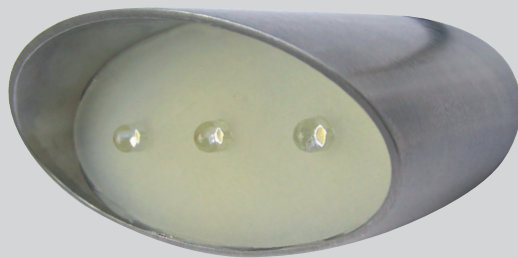
---

# Light This Light That LED 'Ellipse' Wall Light

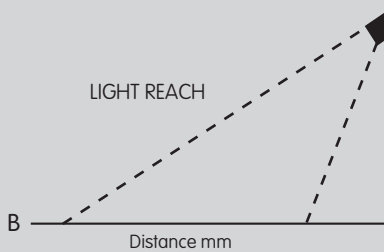
316 Marine Grade Stainless Steel  
Extremely low voltage



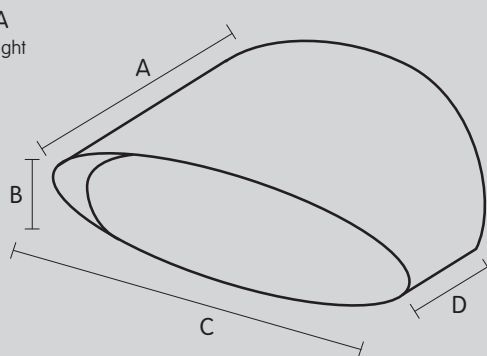
Model shown:  
LTWE1



Model shown:  
LTWE3



Height mm	Reach mm
A	B
500	2000
750	4000



Your **The Light This Light That** 316 'Marine Grade' Stainless Steel LED 'Ellipse' Wall light is IP68 rated.  
This light system contains non replaceable parts.  
Do not attempt to force open the light.

model	dimensions				light source	current
	(a)	(b)	(c)	(d)	#5mm led	mA (max)
LTWE3	60	45	80	15	3	20
LTWE1	40	27	45	10	1	20

**Note:** 1 Amp = 1000 milliamps (mA).

**Disclaimer:** Consistant with our product developemnt policy, improvements may be made which render the contents of this document different to that shown. While every care has been taken with the details on this specification sheet, Light This Light That Pty Ltd accepts no responsibility for any inaccuracies and reserves the right to change the specifications without incurring obligation. Light This Light That Pty Ltd reserves the right to change specifications without notice.

## Specifications:

Materials: Casing: 316 Marine Grade Stainless Steel  
Face: Pexiglas Satinice® 'Pearl finish'

Power Source: Low Voltage 12 V DC input (regulated)

Weatherproof Rating: IP 68

Pre wired: Rear entry 900mm (length) weatherproof cable (20 gauge)

Warranty: 2 years

Cabling: Light This Light That Weatherproof harness (18 gauge) with screw in plugs, or solder connection

LED type: State of art: :5mm

LED Colours: Warm white or coll white.  
Other custom orders available

Option: 2 sizes

## Features:

- Australian Owned
- Australian Made
- Extremely Low Voltage
- 12 volt, not dangerous
- Up to 50,000 hours life
- Directional light efficiency
- Ambient light
- Solid state technology
- No fragile glass environment
- Non corrosive materials
- Ideal for coastal environments
- No Maintenance
- No globes to maintain
- No Ultraviolet radiation
- No Infrared radiation
- No UV to attract insects
- Cool to touch
- Doesn't burn plants
- Doesn't breakdown materials
- No Mercury
- Easy installation, easy to move
- Portable
- Choice of sizes
- Weatherproof IP 68
- 2 year replacement warranty

Australian Owned & Australian Made

**led garden lights**  
consultants : installers : manufacturers

DISTRIBUTOR:

BYRON GREEN LIGHTS

Jason Hutchinson

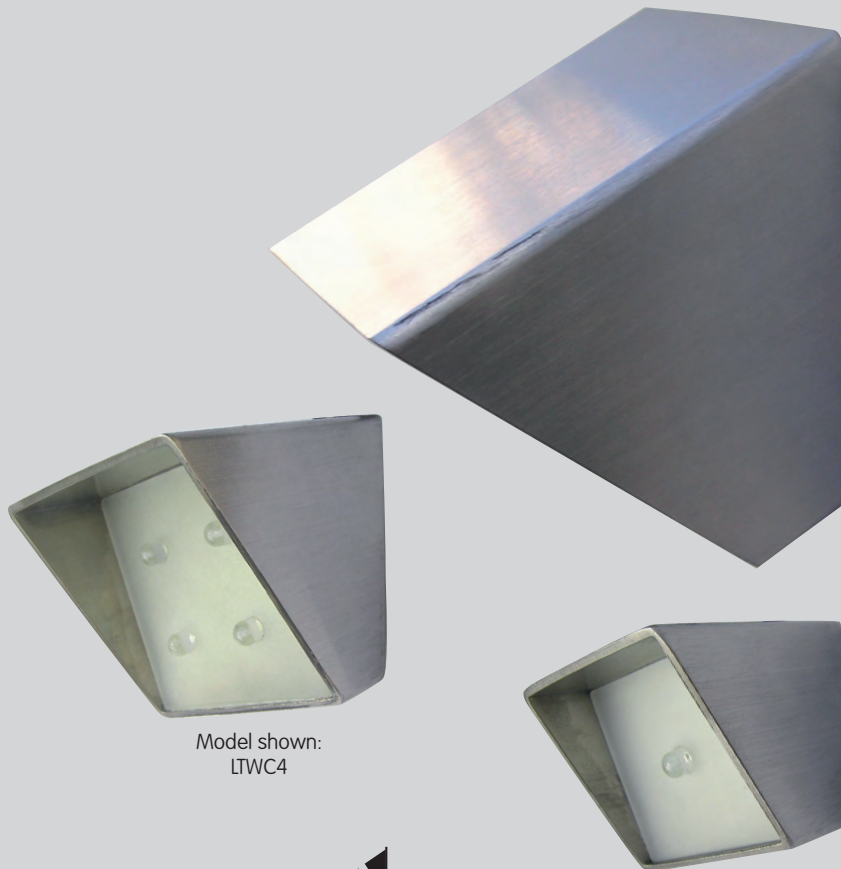
T: (02) 6680 1507

M: 0422 267 313

E: [jason@byrongreenlights.com.au](mailto:jason@byrongreenlights.com.au)

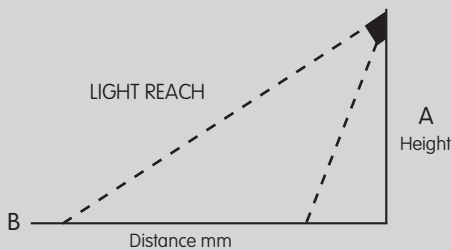
# Light This Light That LED 'Cube' Wall Light

316 Marine Grade Stainless Steel  
Extremely low voltage

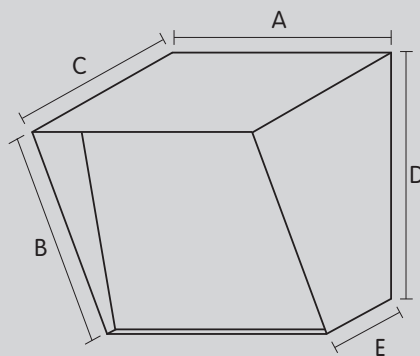


Model shown:  
LTWC4

Model shown:  
LTWC1



Height mm	Reach mm
A	B
500	2000
750	4000



## Specifications:

- Materials: Casing: 316 Marine Grade Stainless Steel  
Face: Pexiglas Satinice® 'Pearl finish'
- Power Source: Low Voltage 12 V DC input (regulated)
- Weatherproof Rating: IP 68
- Pre wired: Rear entry 900mm (length) weatherproof cable (20 gauge)
- Warranty: 2 years
- Cabling: Light This Light That Weatherproof harness (18 gauge) with screw in plugs, or solder connection
- LED type: State of art: :5mm
- LED Colours: White and Blue. Other custom orders available
- Size: 2 sizes

## Features:

- Australian Owned
- Australian Made
- Extremely Low Voltage
- 12 volt, not dangerous
- Up to 50,000 hours life
- Directional light efficiency
- Ambient light
- Solid state technology
- No fragile glass environment
- Non corrosive materials
- Ideal for coastal environments
- No Maintenance
- No globes to maintain
- No Ultraviolet radiation
- No Infrared radiation
- No UV to attract insects
- Cool to touch
- Doesn't burn plants
- Doesn't breakdown materials
- No Mercury
- Easy installation, easy to move
- Choice of sizes
- Weatherproof IP 68
- 2 year replacement warranty

Your **The Light This Light That** 316 'Marine Grade' Stainless Steel 'Cube' Wall Light is IP66 rated.

This light system contains non replaceable parts.  
Do not attempt to force open the light.

model	dimensions					light source	current
	(a)	(b)	(c)	(d)	(e)		
LTWC4	50	55	60	55	15	#5mm led	mA (max)
LTWC1	38	40	50	40	15	4	20
						1	20

**Note:** 1 Amp = 1000 milliamps (mA).

**Disclaimer:** Consistant with our product developemnt policy, improvements may be made which render the contents of this document different to that shown. While every care has been taken with the details on this specification sheet, Light This Light That Pty Ltd accepts no responsibility for any inaccuracies and reserves the right to change the specifications without incurring obligation. Light This Light That Pty Ltd reserves the right to change specifications without notice.

Australian Owned & Australian Made

**led garden lights**  
consultants : installers : manufacturers

DISTRIBUTOR:

BYRON GREEN LIGHTS

Jason Hutchinson

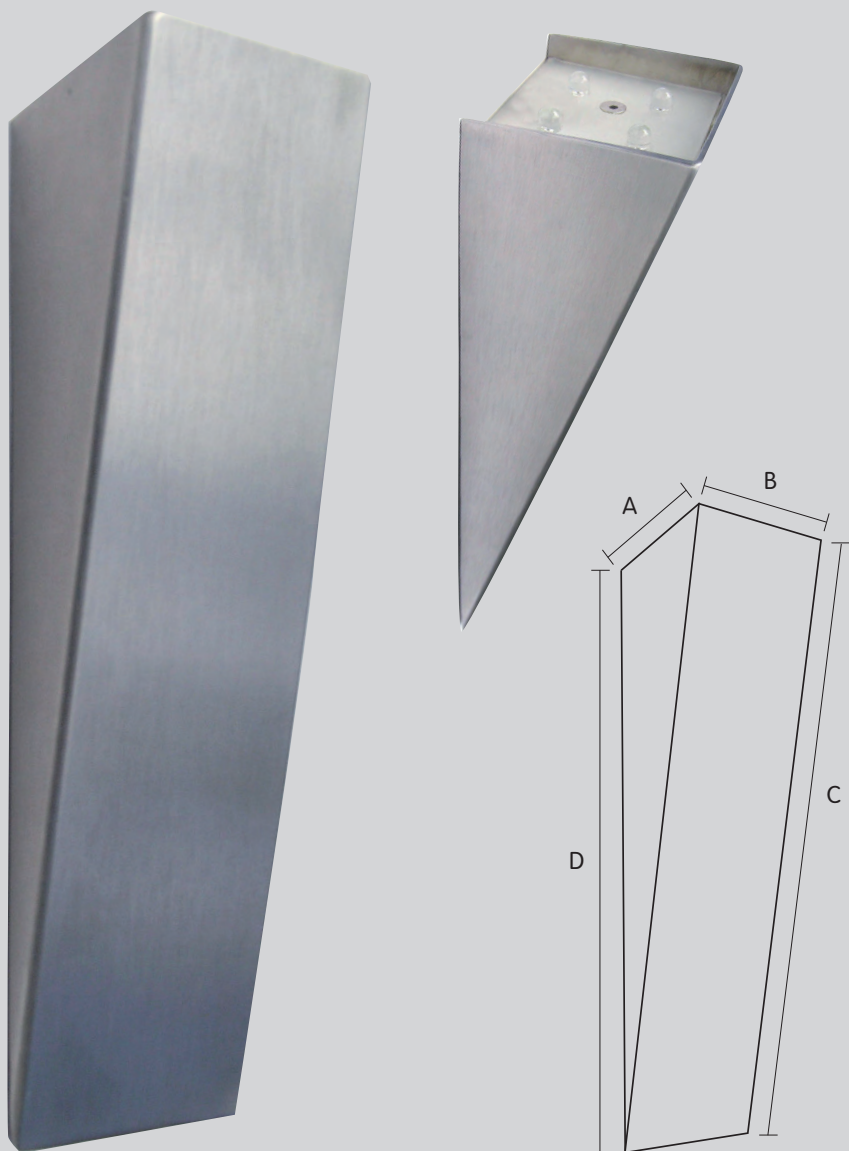
T: (02) 6680 1507

M: 0422 267 313

E: [jason@byrongreenlights.com.au](mailto:jason@byrongreenlights.com.au)

# Light This Light That LED Wall Up-Light

316 Marine Grade Stainless Steel  
Extremely low voltage



## Specifications:

Materials: Casing: 316 Marine Grade Stainless Steel or Solid Copper  
Face: Pexiglas Satinice® 'Pearl finish'

Power Source: Low Voltage 12 V DC input (regulated)

Weatherproof Rating: IP 68

Pre wired: Rear entry 900mm (length) weatherproof cable (20 gauge)

Warranty: 2 years

Cabling: Light This Light That Weatherproof harness (18 gauge) with screw in plugs, or solder connection

LED type: State of art:  :5mm

LED Colours: White or Warm White  
Other custom colours available

## Features:

- Australian Owned
- Australian Made
- Extremely Low Voltage
- 12 volt, not dangerous
- Up to 50,000 hours life
- Directional light efficiency
- Ambient light
- Solid state technology
- No fragile glass environment
- Non corrosive materials
- Ideal for coastal environments
- No Maintenance
- No globes to maintain
- No Ultraviolet radiation
- No Infrared radiation
- No UV to attract insects
- Cool to touch
- Doesn't burn plants
- Doesn't breakdown materials
- No Mercury
- Easy installation, easy to move
- Weatherproof IP 68
- 2 year replacement warranty

Your **The Light This Light That** 316 'Marine Grade' Stainless Steel LED Wall Up-Light is IP68 rated.

This light system contains non replaceable parts. Do not attempt to force open the light.

model	dimensions				light source	current
	(a)	(b)	(c)	(d)		
LTWU4	45	50	200	190	#5mm led	4 mA (max)

**Note:** 1 Amp = 1000 milliamps (mA).

Australian Owned & Australian Made

 **Light this Light that**  
**led garden lights**  
consultants : installers : manufacturers

DISTRIBUTOR:

BYRON  GREEN LIGHTS

Jason Hutchinson

T: (02) 6680 1507

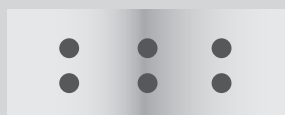
M: 0422 267 313

E: [jason@byrongreenlights.com.au](mailto:jason@byrongreenlights.com.au)

**Disclaimer:** Consistant with our product developemnt policy, improvements may be made which render the contents of this document different to that shown. While every care has been taken with the details on this specification sheet, Light This Light That Pty Ltd accepts no responsibility for any inaccuracies and reserves the right to change the specifications without incurring obligation. Light This Light That Pty Ltd reserves the right to change specifications without notice.

# Light This Light That LED Wall Up-and-Down-Light

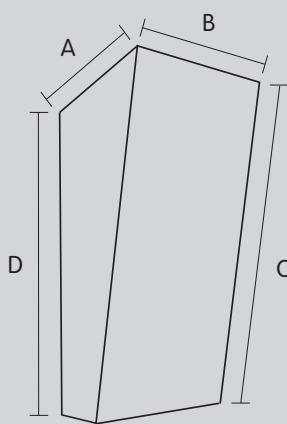
316 Marine Grade Stainless Steel  
Extremely low voltage



Top light source



Bottom light source



## Specifications:

Materials:	Casing: 316 Marine Grade Stainless Steel or Solid Copper Face: Pexiglas Satinice® 'Pearl finish'
Power Source:	Low Voltage 12 V DC input (regulated)
Weatherproof Rating:	IP 68
Pre wired:	Rear entry 900mm (length) weatherproof cable (20 gauge)
Warranty:	2 years
Cabling:	Light This Light That Weatherproof harness (18 gauge) with screw in plugs, or solder connection
LED type:	State of art:  :5mm
LED Colours:	Cool or Warm White Other custom colours available

## Features:

- Australian Owned
- Australian Made
- Extremely Low Voltage
- 12 volt, not dangerous
- Up to 50,000 hours life
- Directional light efficiency
- Ambient light
- Solid state technology
- No fragile glass environment
- Non corrosive materials
- Ideal for coastal environments
- No Maintenance
- No globes to maintain
- No Ultraviolet radiation
- No Infrared radiation
- No UV to attract insects
- Cool to touch
- Doesn't burn plants
- Doesn't breakdown materials
- No Mercury
- Easy installation, easy to move
- Weatherproof IP 68
- 2 year replacement warranty

Your **The Light This Light That** 316 'Marine Grade' Stainless Steel LED Wall Up-Light is IP68 rated.

This light system contains non replaceable parts. Do not attempt to force open the light.

model	dimensions				light source	current
	(a)	(b)	(c)	(d)	#5mm led	mA (max)
LTWU4	45	50	100	95	9	60

Note: 1 Amp = 1000 milliamps (mA).

Australian Owned & Australian Made

 Light this Light that

led garden lights  
consultants : installers : manufacturers

DISTRIBUTOR:

BYRON GREEN LIGHTS

Jason Hutchinson

T: (02) 6680 1507

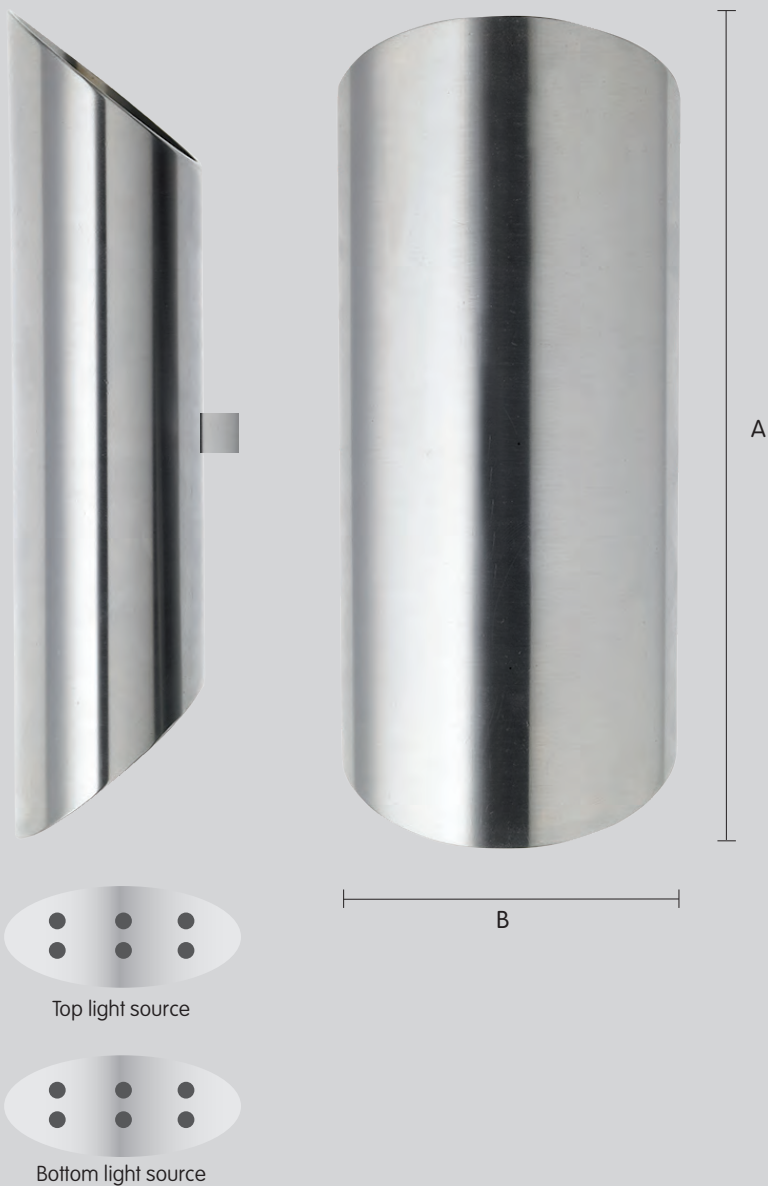
M: 0422 267 313

E: jason@byrongreenlights.com.au

**Disclaimer:** Consistant with our product developemnt policy, improvements may be made which render the contents of this document different to that shown. While every care has been taken with the details on this specification sheet, Light This Light That Pty Ltd accepts no responsibility for any inaccuracies and reserves the right to change the specifications without incurring obligation. Light This Light That Pty Ltd reserves the right to change specifications without notice.

# Light This Light That LED Wall Up-and-Down-Light

316 Marine Grade Stainless Steel  
Extremely low voltage



## Specifications:

Materials: Casing: 316 Marine Grade Stainless Steel or Solid Copper  
Face: Pexiglas Satinice® 'Pearl finish'

Power Source: Low Voltage 12 V DC input (regulated)

Weatherproof Rating: IP 68

Pre wired: Rear entry 900mm (length) weatherproof cable (20 gauge)

Warranty: 2 years

Cabling: Light This Light That Weatherproof harness (18 gauge) with screw in plugs, or solder connection

LED type: State of art:  :5mm

LED Colours: Cool or Warm White  
Other custom colours available

## Features:

Australian Owned  
Australian Made  
Extremely Low Voltage  
12 volt, not dangerous  
Up to 50,000 hours life  
Directional light efficiency  
Ambient light  
Solid state technology  
No fragile glass environment  
Non corrosive materials  
Ideal for coastal environments  
No Maintenance  
No globes to maintain  
No Ultraviolet radiation  
No Infrared radiation  
No UV to attract insects  
Cool to touch  
Doesn't burn plants  
Doesn't breakdown materials  
No Mercury  
Easy installation, easy to move  
Weatherproof IP 68  
2 year replacement warranty

Your **The Light This Light That** 316 'Marine Grade' Stainless Steel LED Wall Up-Light is IP68 rated.

This light system contains non replaceable parts. Do not attempt to force open the light.

model	dimensions		light source	current
	(a)	(b)	#5mm led	mA (max)
LTWU4	90	50	12	80

**Note:** 1 Amp = 1000 milliamps (mA).

Australian Owned & Australian Made

 **led garden lights**  
consultants : installers : manufacturers

DISTRIBUTOR:

BYRON  GREEN LIGHTS

Jason Hutchinson

T: (02) 6680 1507

M: 0422 267 313

E: [jason@byrongreenlights.com.au](mailto:jason@byrongreenlights.com.au)

**Disclaimer:** Consistant with our product developemnt policy, improvements may be made which render the contents of this document different to that shown. While every care has been taken with the details on this specification sheet, Light This Light That Pty Ltd accepts no responsibility for any inaccuracies and reserves the right to change the specifications without incurring obligation. Light This Light That Pty Ltd reserves the right to change specifications without notice.